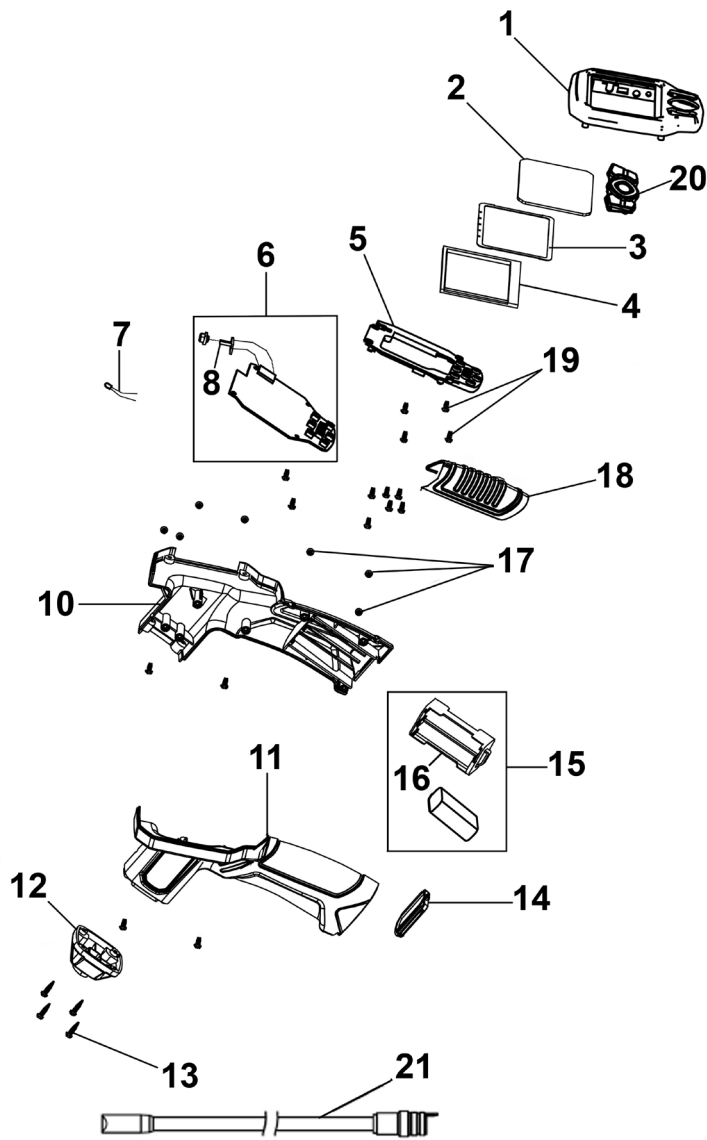




Parts Information:
Video Borescope Ø3.9mm Camera
Model No: VS8232



Item	Part No.	Description
1	VS8232.01	Front Cover
2	VS8232.02	Clear Lens
3	VS8232.03	Seal
4	VS8232.04	LCD Screen
5	VS8232.05	LCD Back Plate
6	VS8232.06	PCB (c/w On/Off Clip, Power Switch & Cover)
7	VS8232.07	LED with Cable
8	VS8232.08	On/Off Clip (c/w Switch, Cover and PCB)
10	VS8232.10	Handle, Right
11	VS8232.11	Handle, Left
12	VS8232.12	Head Cap
13	VS8232.13	Self Tapping Screw 3 x 12mm
14	VS8232.14	Battery Cover

Item	Part No.	Description
15	VS8232.15	Battery Pack (c/w Holder) 3.7V 6.3wH 1700mAH (62 x 32 x 26mm)
16	VS8232.16	Battery Holder Assembly
17	VS8232.17	Self Tapping Screw 2.5 x 10mm
18	VS8232.18	Rubber Grip
19	VS8232.19	Self Tapping Screw 2.5 x 6mm
20	VS8232.20	Rubber Key
21	VS8239	Camera Probe Ø3.9mm (Please See Catalogue)
--	VS8230.01	Mains Charger 5V DC 1000mA 3mm Pin Jack (Not Shown)
--	VS8232.12A	Connector, Probe (Not Shown)
--	VS8232.16A	Battery Holder Connector (Not Shown)

NOTE: It is our policy to continually improve products and as such we reserve the right to alter data, specifications and component parts without prior notice. There may be alternative versions of this product, please contact us should you require this information.

IMPORTANT: No liability is accepted for incorrect use of product. Spare parts must be fitted by a competent person

WARRANTY: Guarantee is 12 months from purchase date, proof of which will be required for any claim.

